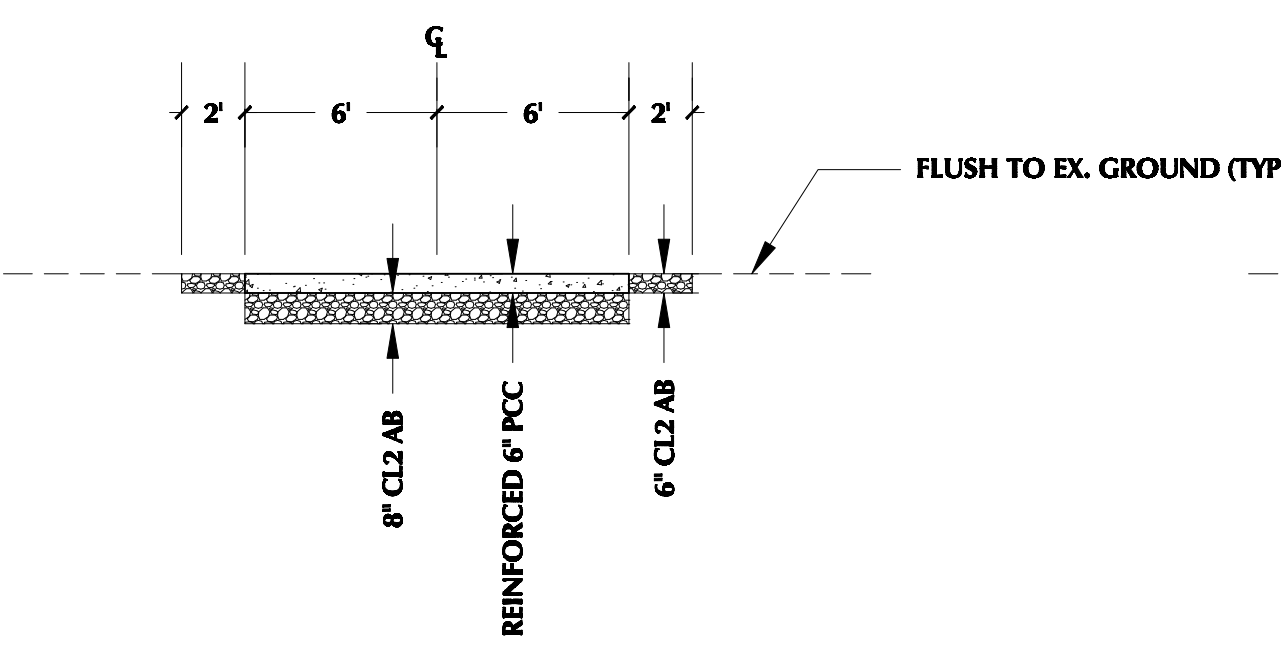


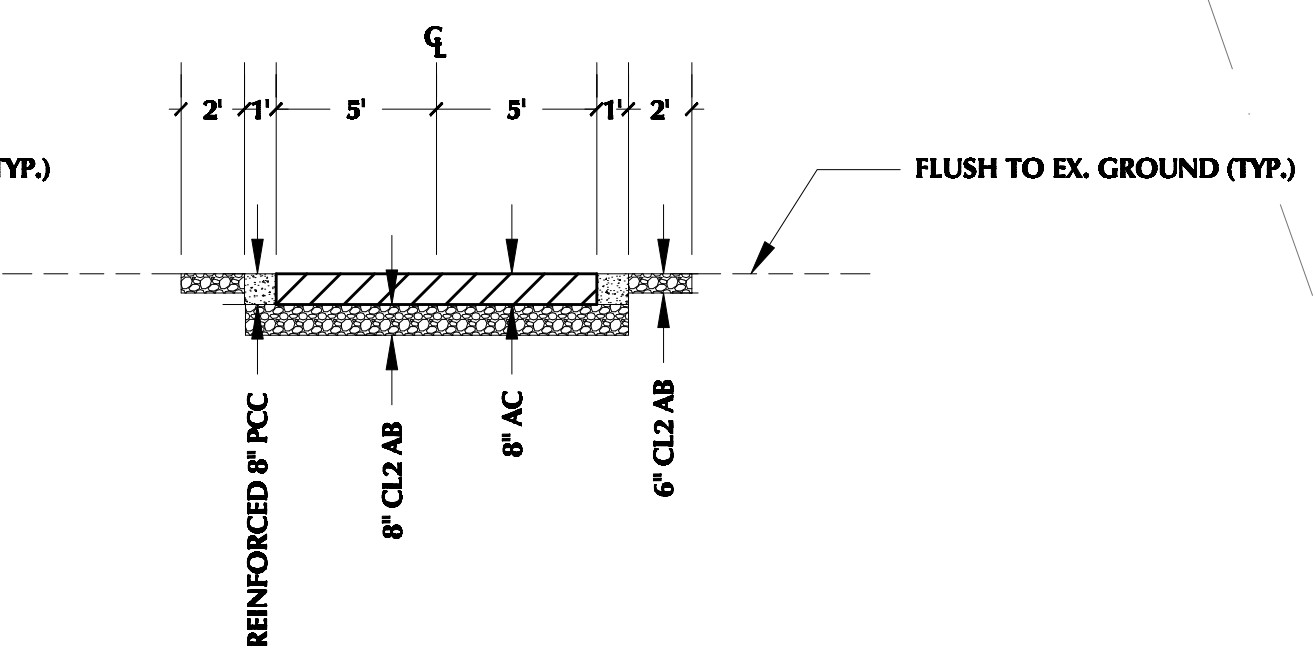
	BEGINNING CURVE	END CURVE	DELTA(Δ)	RADIUS	LENGTH
1	STA. 11+41.06, 71.22' RT	STA. 12+30.62, 36.03' RT	27°50'22.8"	200'	97.18'
2	STA. 12+48.44, 33.67' RT	STA. 13+53.58, 17.79' LT	33°31'25.3"	200'	117.02'
3	STA. 13+71.79, 24.65' LT	STA. 14+48.92, 53.58' LT	47°37'53.1"	100'	83.13'
4	STA. 15+24.78, 44.84' LT	STA. 15+73.72, 45.23' LT	14°03'29.8"	200'	49.07'
5	STA. 15+83.84, 46.56' LT	STA. 16+07.75, 48.25' LT	06°52'08.4"	200'	23.98'

**CROSS SECTION OPTIONS**

**OPTION 1 - PCC SURFACE**



**OPTION 2 - AC SURFACE / PCC BAND**



**LEGEND**

- PROPOSED TRAIL
- PROPOSED PCC SIDEWALK
- PERMEABLE PAVER
- DRIVEWAY CUT
- PROPOSED TRAIL HEAD
- PROPOSED TRAIL END
- RUNOFF FLOW

WRITTEN DIMENSIONS ON THESE DRAWINGS SHALL BE USED FOR CONSTRUCTION. CONTRACTORS SHALL VERIFY AND BE RESPONSIBLE FOR ALL DIMENSIONS AND CONDITIONS. ANY VARIATIONS FROM THESE DIMENSIONS AND CONDITIONS SHOWN IN THESE DRAWINGS.

KATY ALLEN  
DIRECTOR  
DEPARTMENT OF PUBLIC WORKS

SCALE: 1"=20'  
DATE: OCT 20, 09  
DRAWN BY: JK  
CHECKED BY: JTR/A

CONCEPTUAL PLAN  
GUADALUPE CREEK TRAIL  
SINGLETREE WAY

PROJECT NO: 1  
SHEET NO: 9 1