

# CISCO TECHNOLOGIES, INC.

PROPERTY LINE

# KLA TENCOR

EXISTING TRAIL

EDGE OF PARKING LOT

EXISTING TREES TO BE REMOVED

SCVWD RW

RETAINING WALL

0+00

1+00

2+00

PISta3+06.15

POESSta3+19.98

PISta2+06.15

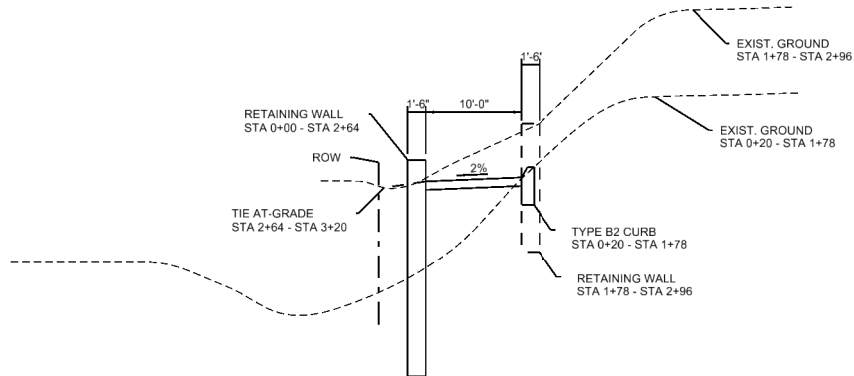
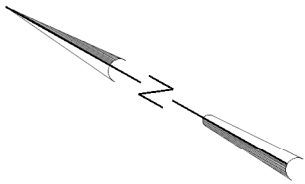
LGR TRAIL

PCISa0+00.00

PISta0+20.00

PISta2+54.62

Sta2+86.15



HETCH HETCHY SPUR TRAIL TYPICAL SECTION

1" = 40'