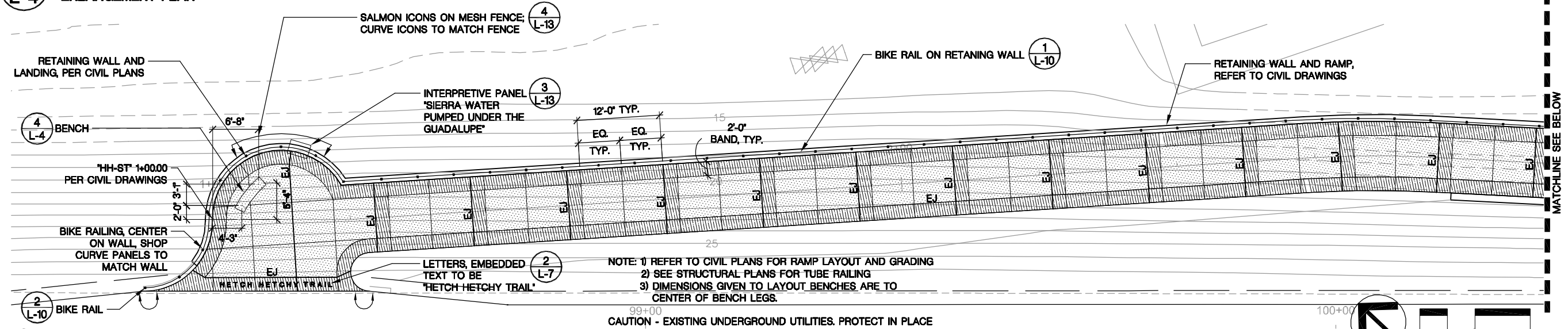


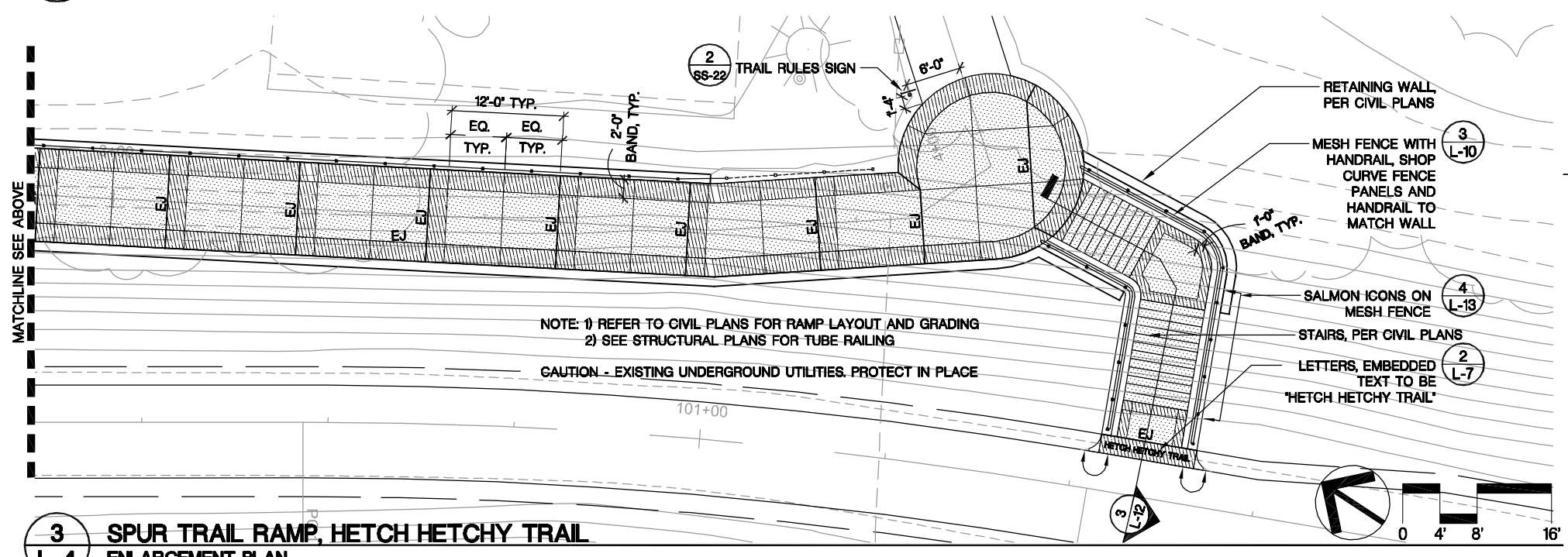
1
L-4 SPUR TRAIL RAMP, ALVISO TRAIL
ENLARGEMENT PLAN

NOTE: 1) REFER TO CIVIL PLANS FOR RAMP LAYOUT AND GRADING
2) SEE STRUCTURAL PLANS FOR TUBE RAILING
3) DIMENSIONS GIVEN TO LAYOUT BENCHES ARE TO CENTER OF BENCH LEGS.
CAUTION - EXISTING UNDERGROUND UTILITIES. PROTECT IN PLACE



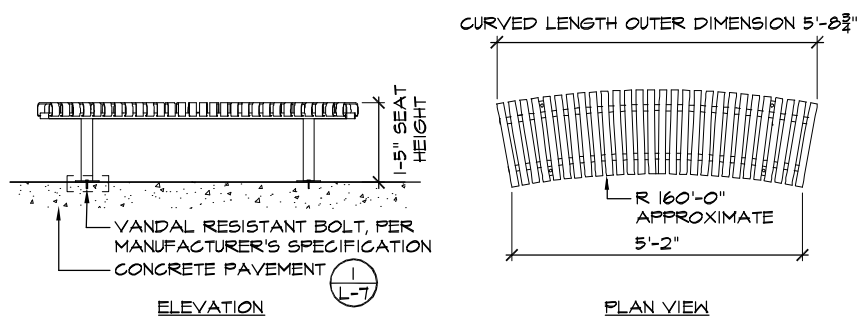
2
L-4 SPUR TRAIL RAMP, HETCH HETCHY TRAIL
ENLARGEMENT PLAN

NOTE: 1) REFER TO CIVIL PLANS FOR RAMP LAYOUT AND GRADING
2) SEE STRUCTURAL PLANS FOR TUBE RAILING
3) DIMENSIONS GIVEN TO LAYOUT BENCHES ARE TO CENTER OF BENCH LEGS.
CAUTION - EXISTING UNDERGROUND UTILITIES. PROTECT IN PLACE



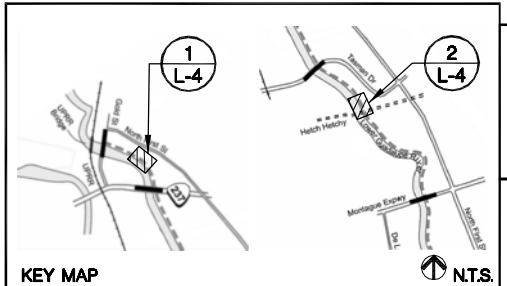
3
L-4 SPUR TRAIL RAMP, HETCH HETCHY TRAIL
ENLARGEMENT PLAN

NOTE: 1) REFER TO CIVIL PLANS FOR RAMP LAYOUT AND GRADING
2) SEE STRUCTURAL PLANS FOR TUBE RAILING
CAUTION - EXISTING UNDERGROUND UTILITIES. PROTECT IN PLACE



4
L-4 BENCH
DETAIL

N.T.S.



KEY MAP

N.T.S.

Callander Associates
Landscape Architecture
325 South First Street, Suite 300
San Jose, CA 95113
T 408.275.0565

CH2MHILL
1737 NORTH FIRST STREET, SUITE 300
SAN JOSE, CALIFORNIA 95112-4524
(408)436-4909

FOR NOTES AND LEGEND SEE SHEET L-1